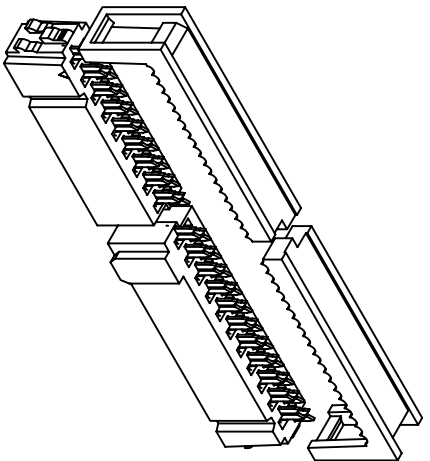


MATERIALS:
 INSULATOR:P.B.T.30%GLASS FIBER,UL94V-0
 CONTACT MATERIAL:BRASS OR PHOSPHOR
 BRONZE,GOLD FLASH OVER NICKEL
ELECTRICAL:
 CURRENT RATING:1AMP DC
 INSULATION RESISTANCE:3000MΩ MIN.
 CONTACT RESISTANCE:30mΩ MAX.
 DIELECTRIC WITHSTANDING:500V AC
 OPERATING TEMPERATURE:-40°C~+105°C
 TERMINATED WITH 1.27mm PITCH FLAT RIBBON CABLE.

CIRCUITS	A
60	80.74
64	85.82



(RoHS Compliant)
 FC-16 - 6X B0 BK N 000 C
 1 2 3 4 5 6

- Circuits: 60 to 64pin
- Material:
 B0=Brass
 B4=Brass 4kg
 B6=Brass 6kg
 P0=Phosphor Bronze
 P4=Phosphor Bronze 4kg
 P6=Phosphor Bronze 6kg
 Color: BK=Black
 GR=Grey
- Contact Plated:
 T=Matte Tin over Nickel
 W=Matte Tin over Nickel 150u"
 Y=Bright Tin over Nickel
 C=Gold Flash
 F=Gold Flash,Tin 100u"
 A=Gold 3u"
 B=Gold 3u",Ni 50u"
 D=Gold 5u"
- Contact Plated:
 E=Gold 5u",Ni 50u"
 G=Gold 10u"
 J=Gold 10u",Ni 50u"
 L=Gold 15u"
 M=Gold 15u",Ni 50u"
 U=Gold 30u"
 V=Gold 30u",Ni 50u"
 N=Gold Flash , Ni
 Special Options
 Packing: C= Troy

①:FC-16-6XB0BK N000-2008/07/08-C
 CONN TOP COMPONENT INC.
 BOM 1: FC-16-6XXBKHP
 2: FC-19-6XXBKMO
 3: FCT-B
 TEL:(02)86481727 FAX:(02)86482427

PART NO	FC-16-6XB0BK N000C	X	.XX	.XXX
DRAWING NO	2540-00029	±0.3	±0.20	±0.100
DRAWN BY	GARY	EDITION: C1	SCALE: 1:1	ITEM: 2540
APPROVAL BY				UNIT: m.m